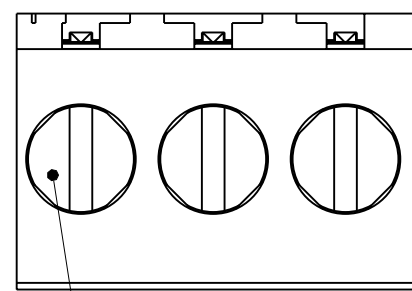
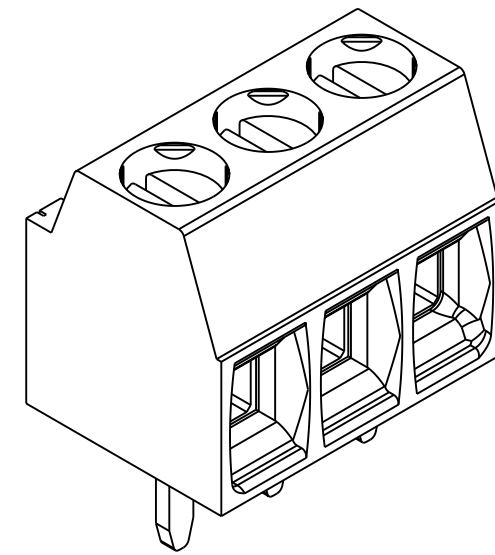


THIS DRAWING IS UNPUBLISHED. RELEASED FOR PUBLICATION 20
 © COPYRIGHT 20 BY TYCO ELECTRONICS CORPORATION. ALL RIGHTS RESERVED.

LOC		DIST		REVISIONS			
P	LTR	DESCRIPTION	DATE	DWN	APVD		
0		RELEASED EC 0G3B-0612-04	01JUN2005	SW	CR		



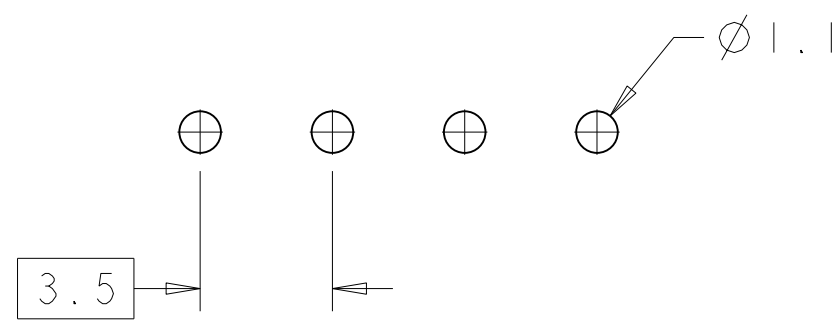
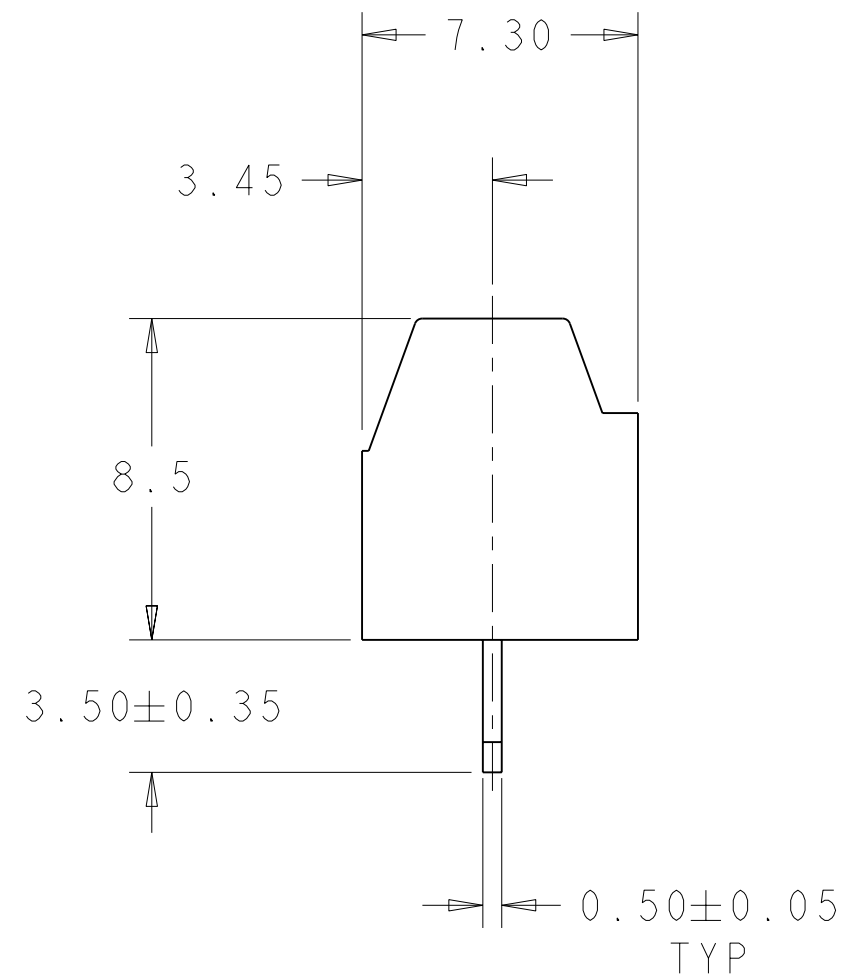
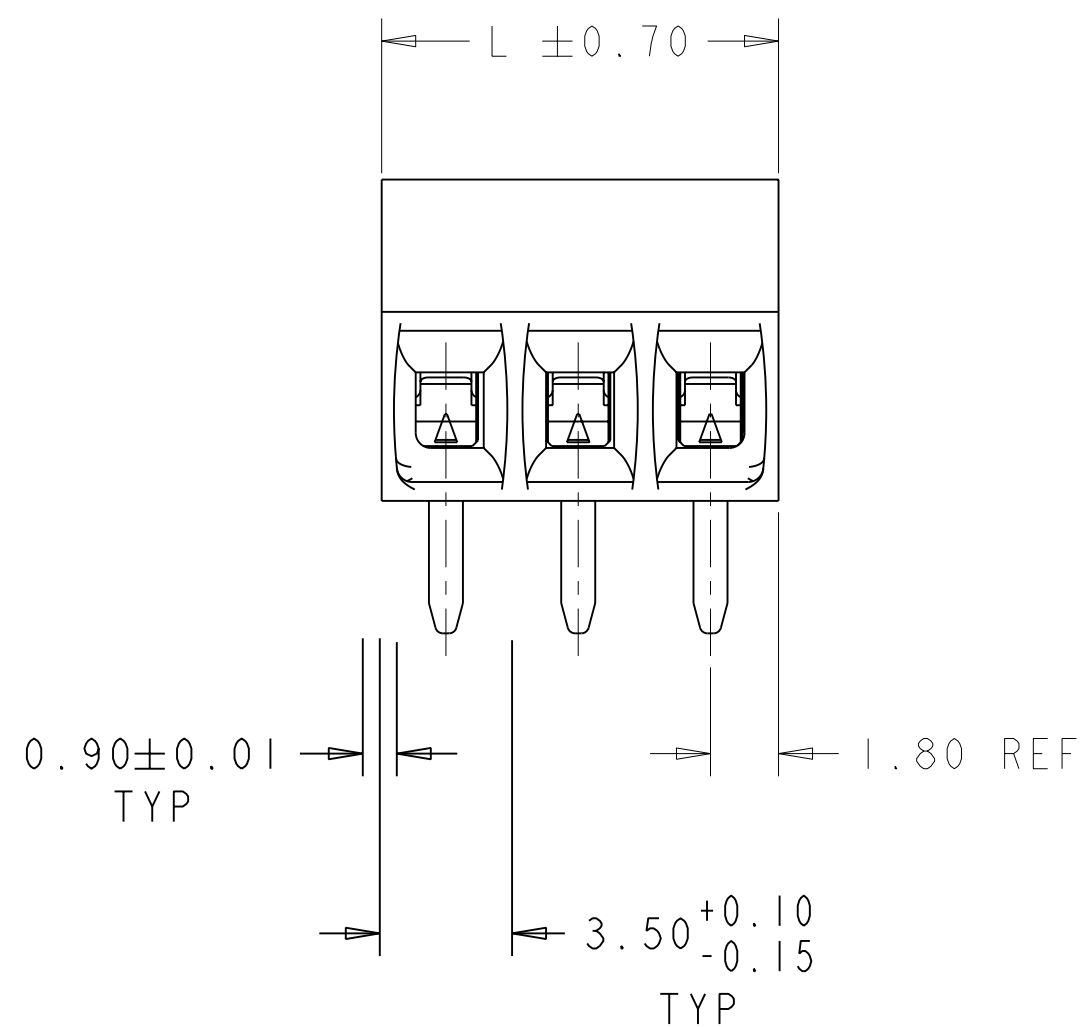
CLAMPING SCREW



1776112-4 AS SHOWN

△ MATERIALS AND FINISH:
 HOUSING: HIGH TEMPERATURE POLYAMIDE, UL 94V-0 RATED,
 COLOR: BLACK.
 TERMINAL: COPPER ALLOY, TIN PLATED.
 CLAMP: COPPER ALLOY, NICKEL PLATED.
 CLAMPING SCREW: COPPER ALLOY, NICKEL PLATED.

- WIRE SIZE RANGE: 16-28 AWG.
- CURRENT RATING: 12A, 150V
 OPERATING TEMPERATURE: -40°C TO +110°C
- SUITABLE FOR 2.4mm MAX PC BOARD THICKNESS.



RECOMMENDED PC BOARD LAYOUT

14.00	4	1776112-4
10.50	3	1776112-3
7.00	2	1776112-2
L	NO OF POSN	PART NUMBER

THIS DRAWING IS A CONTROLLED DOCUMENT FOR TYCO ELECTRONICS CORPORATION IT IS SUBJECT TO CHANGE AND THE CONTROLLING ENGINEERING ORGANIZATION SHOULD BE CONTACTED FOR THE LATEST REVISION.		DWN S. WELDON 01JUN2005	Tyco Electronics Harrisburg, PA 17105-3608	
DIMENSIONS: mm		CHK C. RICHARD 01JUN2005	NAME BUCHANAN TERMINAL BLOCK, PCB MOUNT, STRAIGHT, 8.5mm PROFILE, SIDE WIRE ENTRY, 3.5mm PITCH	
TOLERANCES UNLESS OTHERWISE SPECIFIED: 0 PLC ±.3 1 PLC ±.3 2 PLC ±.25 3 PLC ±0 4 PLC ±0 ANGLES ±		APVD C. RICHARD 01JUN2005	RESTRICTED TO	
MATERIAL	FINISH	PRODUCT SPEC	SIZE A2	CAGE CODE 00779
		APPLICATION SPEC	DRAWING NO C=1776112	REV 0
		WEIGHT	SCALE 5:1 SHEET 1 OF 1	
CUSTOMER DRAWING				